

# NEWS LETTER

C-FAB 2021

# NEW ORGANIZATION OF YOUR C-FAB CSM

**2021 means innovation and organization at CSM.**

The CSM team is structured and growing to increase quality of services and better support with your subcontracting orders.



**WILLIAM BLONDET** - *Manager CSM*

CPO and previously Technical and Commercial Advisor within the G2M Group, I take over the management of CSM succeeding Didier Chalouas.

This new challenge will bring new ideas:

A new service offer is in preparation and we are pleased to announce the beginnings of these.

A recent organization has been set up for the sake of improving services, quality and communication. You will find below our new team members and the function of each one.

**Do not hesitate to contact them!**



**ANTOINE BENOIST** - *Workshop Chief CSM*

Being part of the G2M Group since 10 years now and with his experience as a saddler and upholsterer, Antoine will be keen to manage the production as well as the organization of the CSM workshop.

He will coordinate the production flows while ensuring the quality of your equipment.



**MÉLODIE CARRÉ** - *Sale Support/Customer Service*

Mélodie has joined the organization in 2020. With her experience as a sale assistant and customer service France/Export, she will welcome you via email and phone and help you with all the CSM inquiries.

She will be in charge of entering, shipping and following up the orders.



**DENIS VÉRITÉ & DAMIEN CHASTEAU DE BAYLON** - *CFAO operators*

Denis and Damien are in charge of the design / rectification of your measurements, and scan files on our CAD software (Rodin, Freeform, Cube, Meshlab...).

They program our two 7-axis robots as well as our 2.5-axis milling machine for milling positive or negative (foam comfort seats).

Do not hesitate to contact them for rectification / milling information.

# MILLING MATERIALS

## FEATURES AND APPLICATIONS

With its experience, CSM makes its recognized expertise available for any thermoforming milling and finishing of orthopedic devices.

Equipped with 2 7-axis milling robots as well as a 2.5-axis milling machine, CSM is able to mill different materials with multiple properties and technical characteristics.

You will find below the different milling materials that we offer for the production of your orthopedic devices.



**COMED** (carved foam seat)

Density: 30kg/m<sup>3</sup>

Soft foam for patients who are light or requiring support with higher flexibility.



**COFLEX** (carved foam seat)

Density: 45kg/m<sup>3</sup>

Soft foam for medium weight patients requiring good comfort with higher rebound.



**COFERM** (carved foam seat)

Density: 50kg/m<sup>3</sup>

Soft foam for medium / heavy patient requiring good support and firmness with superior rebound.



**PLASTAZOTE BLUE**  
(carved foam seat)

Density: 25kg/m<sup>3</sup>

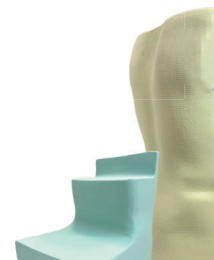
Rigid and comfortable polyethylene foam. It will provide the necessary support for the posture. Closed cell foam.



**PLASTAZOTE BLACK**  
(carved foam seat)

Density: 35kg/m<sup>3</sup>

Rigid and comfortable polyethylene foam. It will provide the necessary support for the posture. Closed cell foam.



**POLYURETHANE**

Rigid foam for positive milling, which allows thermoforming or stratification for different orthopedic devices.



**COFLEX** (carved foam mattress)

Density: 45kg/m<sup>3</sup>

Mousse souple pour patient de poids moyen/lourd nécessitant un bon confort avec un rebond supérieur.



**COPLI** (carved foam mattress)

Density: 20kg/m<sup>3</sup>

Mousse souple pour patient léger ou nécessitant une grande souplesse et un grand confort.

# TRISKELO



## Mobility device. Podale propulsion tricycle with tailor-made corset-saddle.

The child can walk alone, allowing the dissociation of the anatomic belts. The Triskelo will be the ideal partner for family walks.

The **TRISKELO** is made for children who have difficulties walking, with an weak trunk support like hemiplegia, spastic diplegia, or cerebral palsy. It will also help children with a fragile autonomous walk, lacking in confidence in their mobility, or with cognitive impairment. It will bring to your child the technical support needed for his learning of mobility and allow his stimulation.

To order a Triskelo, please send us the measurements form that you will find in the attachment to [cfao@groupe-g2m.com](mailto:cfao@groupe-g2m.com).



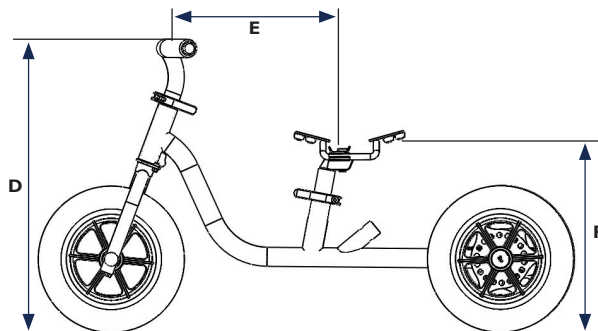
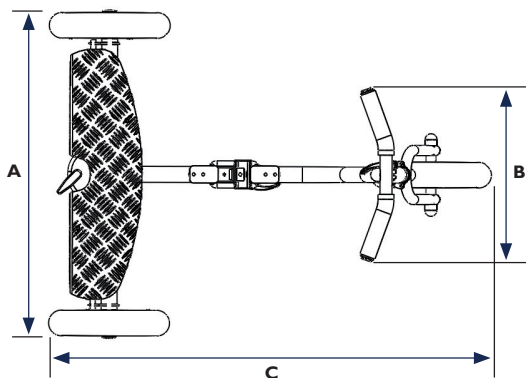
*Let's move to have fun!*

### T67K

Sizes	Dimensions	Weight, height & age limit
Size 1	650 x 900 mm	20 kg - 1,00 m - de 2 to 5 yrs*
Size 2	650 x 1075 mm	30 kg - 1,20 m - de 4 to 6 yrs*

\*Indicative information

	Size 1 (T67K-1)	Size 2 (T67K-2)
A - Rear wheelbase	650 mm	650 mm
B - Handlebar width	350 mm	350 mm
C - Length	900 mm	1075 mm
D - Handlebar height	from 470 to 590 mm	from 560 to 680 mm
E - Trunk/handlebar distance	from 250 to 320 mm	from 310 to 380 mm
F - Seat height	from 290 to 500 mm	from 390 to 600 mm



# CUSTOMIZE YOUR TRISKELO



**PUSH ROD**



**MONOBLOC SADDLE**



**SADDLE with removable backrest / height adjustable**



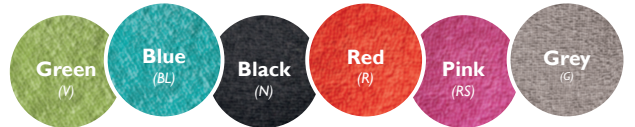
**CHEST STRAP**  
**ABDOMINAL STRAP**

## FRAME COLOR



**Dark blue** **Light blue** **Pastel green** **Pink** **Parma** **Red** **Black**

## INTERNAL SADDLE COLOR CONTONFLEX FABRIC



## EXTERNAL SADDLE COLOR



**Jean** **Fish blue** **Pink Hibiscus** **Blue Hibiscus** **Hawai surf**



**Hawai surf blue** **Blue Camouflage** **Green Camouflage** **Carbone** **Fashion** **Hearts** **Shoes** **Blue Jean's** **Alu**



**Unicorn** **Kart** **Astronaut** **Fairy** **Princess** **Circuit** **Graf**



**Jungle** **Surf** **Tag** **Veterinary** **Neocity**

# MOTILO *style*



The **MOTILO** is made for children with multiple disabilities, in order to ease their mobility. The corset-saddle made to measure adjustable in height and inclination, is built on a stable rolling frame and is perfectly adapted for ambulation.

The *style* **MOTILO** version facilitates the installation of the patient on the saddle. With its completely removable and adjustable backrest, it is the perfect device to help children in their mobility. It also has a removable padding washable at 30 °C.

Its goals are:

- the learning of motor functions not yet acquired,
- prevent and correct the functional consequences as well as orthopedic deformities coming from muscular imbalances,
- introduce locomotion to a child with multiple disabilities, thus offering him the opportunity to move around, have fun and free himself from the usual constraints of his life.

The **MOTILO** is intended for children unable to walk independently and with a trunk hypotonia requiring maintenance.

To order a Motilo Style, please send us the measurements form that you will find in the attachment to [cfao@groupe-g2m.com](mailto:cfao@groupe-g2m.com).



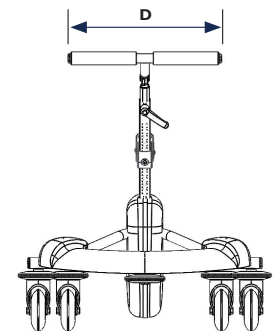
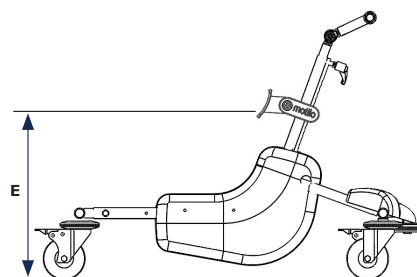
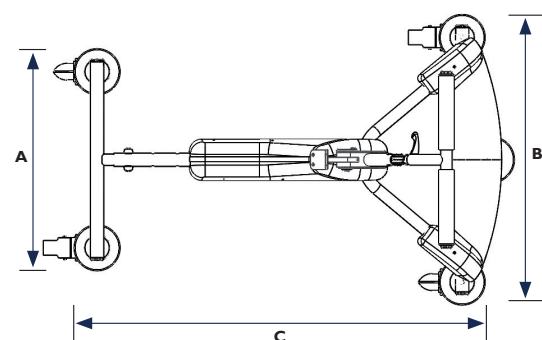
*Enjoy mobility!*

## Tx0K

Sizes	Dimensions	Weight, height & age limit
Size T0 (T00K)	480 x 750 mm	15 kg - 1,00 m - from 3 to 5 yrs*
Size T1 (T10K)	600 x 950 mm	20 kg - 1,20 m - from 4 to 5 yrs*
Size T2 (T20K)	700 x 1120 mm	35 kg - 1,40 m - from 7 to 12 yrs*
Size T3 (T30K)	800 x 1350 mm	50 kg - 1,60 m - young adult*

	Size T0 (T00K)	Size T1 (T10K)	Size T2 (T20K)	Size T3 (T30K)
<b>A - Rear wheelbase</b>	370 mm	460 mm	530 mm	600 mm
<b>B - Front wheelbase</b>	480 mm	600 mm	700 mm	800 mm
<b>C - Length</b>	650/700/750 mm	850/900/950 mm	1020/1070/1120 mm	1200/1250/1350 mm
<b>D - Handlebar width</b>	270 mm	350 mm	450 mm	450 mm
<b>E - Floor/crotch distance</b>	from 215 to 380 mm	from 380 to 510 mm	from 500 to 650 mm	from 550 to 800 mm

\*Indicative information.



# CUSTOMIZE YOUR MOTILO

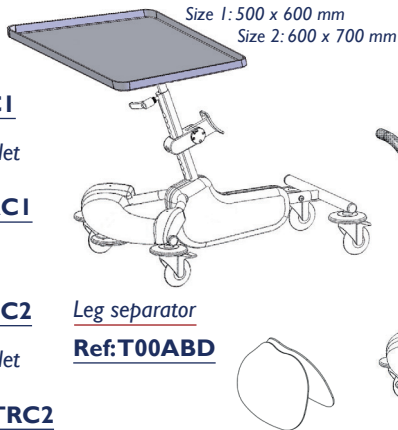
Tablet holder  
with white tablet  
for frame T0 and T1  
**Ref: T90-V112BC1**

with transparent tablet  
for frame T0 and T1  
**Ref: T90-V112TRC1**

with white tablet  
for frame T2 and T3  
**Ref: T90-V112RBC2**

with transparent tablet  
for frame T2 and T3  
**Ref: T90-V112RTRC2**

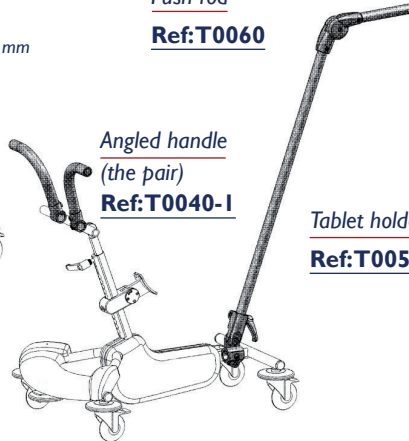
Size 1: 500 x 600 mm  
Size 2: 600 x 700 mm



Leg separator  
**Ref: T00ABD**

Push rod  
**Ref: T0060**

Angled handle  
(the pair)  
**Ref: T0040-1**



Tablet holder  
**Ref: T0050-1**

all-terrain wheel kit  
(withou brake)  
**Ref: T0070-1**



Wheel kit  
non-directional  
**Ref: T0020-1** (for T0)  
**Ref: T0020-2** (for T1, T2 et T3)



Headrest  
**Ref: SAT43Z03**

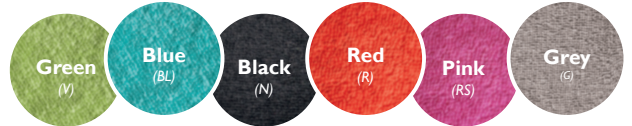


## FRAME COLOR



**Dark blue** **Light blue** **Pastel green** **Pink** **Parma** **Red** **Black**

## INTERNAL SADDLE COLOR CONTONFLEX FABRIC



**Green (V)** **Blue (BL)** **Black (N)** **Red (R)** **Pink (RS)** **Grey (G)**

## EXTERNAL SADDLE COLOR



**Jean** **Fish blue** **Pink Hibiscus** **Blue Hibiscus** **Hawai surf**



**Hawai surf blue** **Blue Camouflage** **Green Camouflage** **Carbone** **Fashion** **Hearts** **Shoes** **Blue Jean's** **Alu**



**Unicorn** **Kart** **Astronaut** **Fairy** **Princess** **Circuit** **Graf**



**Jungle** **Surf** **Tag** **Veterinary** **Neocity**

# MOTILO ORIGINAL



The **MOTILO** is made for children with multiple disabilities, in order to ease their mobility. The tailor-made adaptation of a corset-saddle adjustable in height and inclination, is built on a stable rolling frame and is perfectly adapted for ambulation.

Its goals are:

- the learning of motor functions not yet acquired,
- prevent and correct the functional consequences as well as orthopedic deformities coming from muscular imbalances,
- introduce locomotion to a child with multiple disabilities, thus offering him the opportunity to move around, have fun and free himself from the usual constraints of his life.

The **MOTILO** is intended for children unable to walk independently and with a trunk hypotonia requiring support.

To order a Motilo Original, please send us the measurements form that you will find in the attachment to [cfao@groupe-g2m.com](mailto:cfao@groupe-g2m.com).



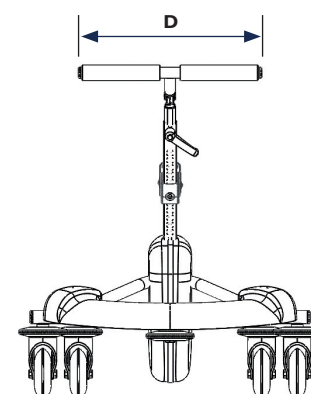
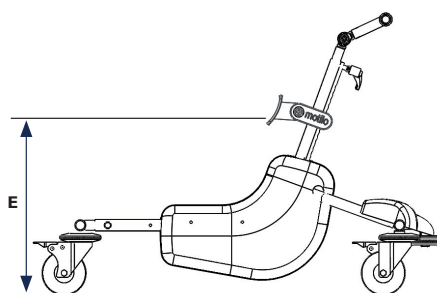
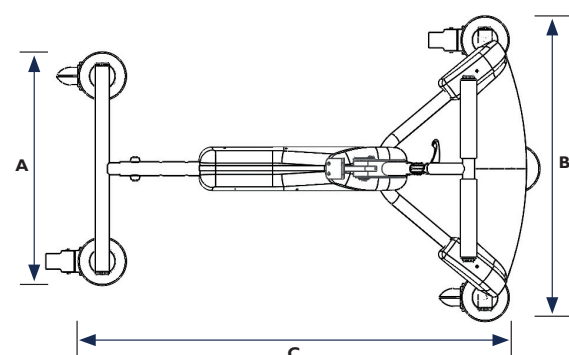
*Enjoy mobility!*

## Tx0K

Sizes	Dimensions	Weight, height & age limit
Size T0 (T00K)	480 x 750 mm	15 kg - 1,00 m - from 3 to 5 yrs*
Size T1 (T10K)	600 x 950 mm	20 kg - 1,20 m - from 4 to 5 yrs*
Size T2 (T20K)	700 x 1120 mm	35 kg - 1,40 m - from 7 to 12 yrs*
Size T3 (T30K)	800 x 1350 mm	50 kg - 1,60 m - young adult*

	Size T0 (T00K)	Size T1 (T10K)	Size T2 (T20K)	Size T3 (T30K)
<b>A - Rear wheelbase</b>	370 mm	460 mm	530 mm	600 mm
<b>B - Front wheelbase</b>	480 mm	600 mm	700 mm	800 mm
<b>C - Length</b>	650/700/750 mm	850/900/950 mm	1020/1070/1120 mm	1200/1250/1350 mm
<b>D - Handlebar width</b>	270 mm	350 mm	450 mm	450 mm
<b>E - Floor/crotch distance</b>	from 215 to 380 mm	from 380 to 510 mm	from 500 to 650 mm	from 550 to 800 mm

\*Indicative information.





# CUSTOMIZE YOUR MOTILO

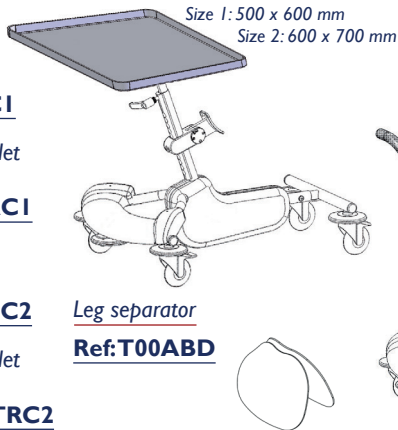
Tablet holder  
with white tablet  
for frame T0 and T1  
**Ref: T90-V112BC1**

with transparent tablet  
for frame T0 and T1  
**Ref: T90-V112TRC1**

with white tablet  
for frame T2 and T3  
**Ref: T90-V112RBC2**

with transparent tablet  
for frame T2 and T3  
**Ref: T90-V112RTRC2**

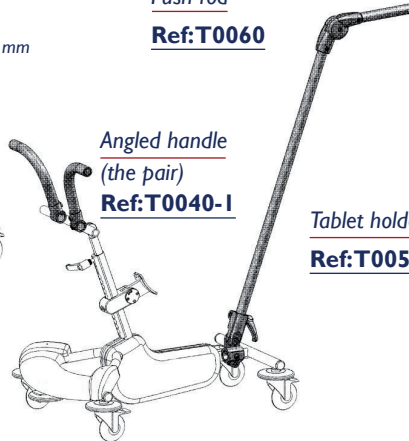
Size 1: 500 x 600 mm  
Size 2: 600 x 700 mm



Leg separator  
**Ref: T00ABD**

Push rod  
**Ref: T0060**

Angled handle  
(the pair)  
**Ref: T0040-1**



Tablet holder  
**Ref: T0050-1**



Headrest  
**Ref: SAT43Z03**

all-terrain wheel kit  
(withou brake)

**Ref: T0070-1**



Wheel kit  
non-directional

**Ref: T0020-1** (for T0)

**Ref: T0020-2** (for T1, T2 et T3)

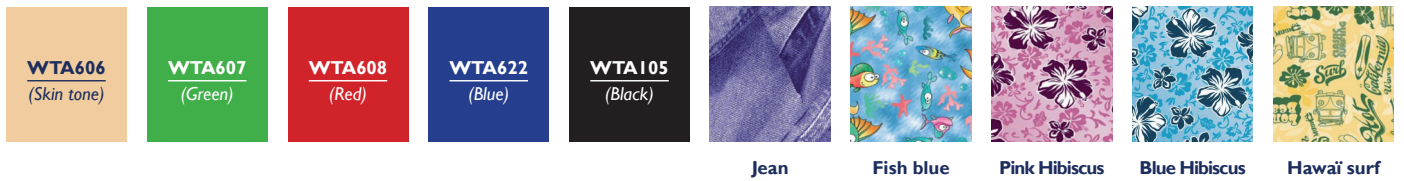


## FRAME COLOR



INTERNAL  
SADDLE COLOR  
LYCRA FABRIC

## EXTERNAL SADDLE COLOR



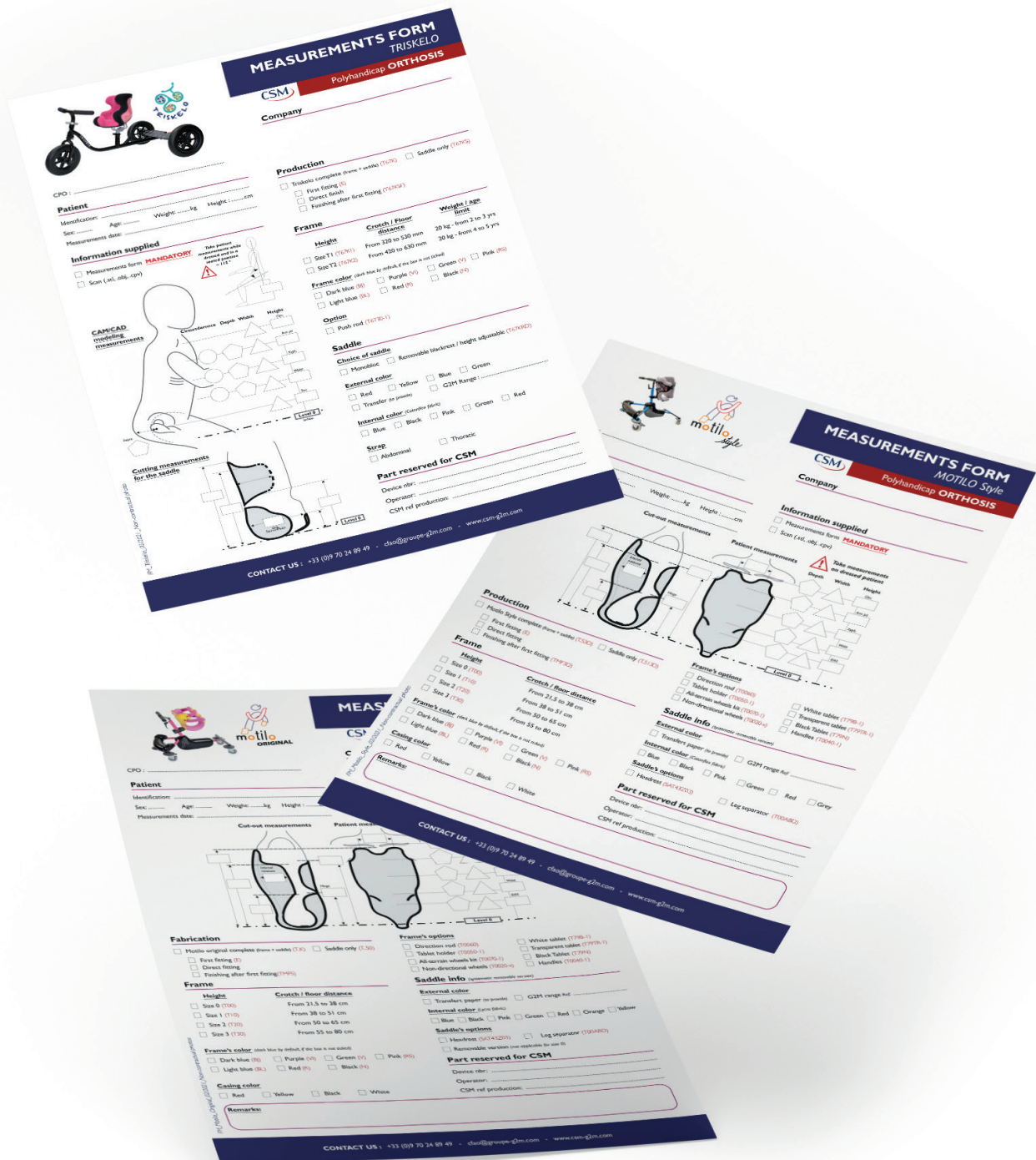
SC\_Motilo\_Original\_02/2021\_Non-contractual\_photos

# NEW CSM MEASUREMENT FORMS

Our new measurement forms for **TRISKELO**, **MOTILO STYLE** and **MOTILO ORIGINAL** are available to download on our website page, on the tab **ressources**.

These **3 new order forms** define the beginning of a 2021 enhancing in our selection of products. Better and clearer, they will ease the process of ordering.

Check our website [www.csm-g2m.com](http://www.csm-g2m.com) for more information!



# OUR SKILLS AND COMPETENCES IN ORTHOPEDIC DEVICES

Our expertise allows us to meet your needs whatever the desired degree of manufacturing.

From CAD CAM rectification to finishing, CSM will be keen to put its expertise at your service.

Here are some examples of O&P Device:



**PEDIATRIC MOLDED SEAT**

Built on Plimo2 frame.



**POSTURE SITTING**

Made of painted and covered milled foam.



**POSTURAL KAFO**

With removable and washable fabric.



**KAFO**

In carbon with polypropylene foot part.



**MOTILO STYLE**

Gait trainer with removable and washable fabric.





LettreInfo\_CSM\_02/2021\_Photos non contractuelles

**CSM**  
by G2M

## **CONTACT US**

Phone: +33 (0)9 70 24 89 49 - Fax: +33 (0)2 41 59 19 93  
[cfao@groupe-g2m.com](mailto:cfao@groupe-g2m.com)

**[WWW.CSM-G2M.COM](http://WWW.CSM-G2M.COM)**